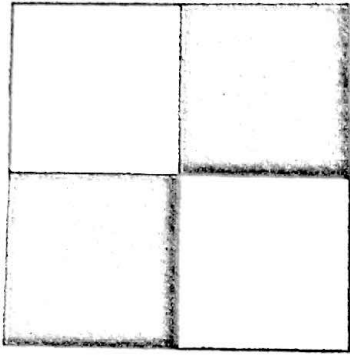


# Disappearing 4 Patch

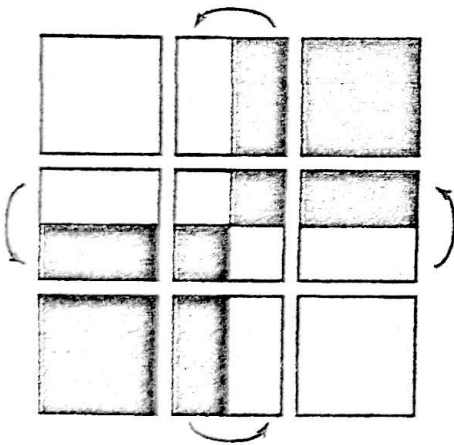
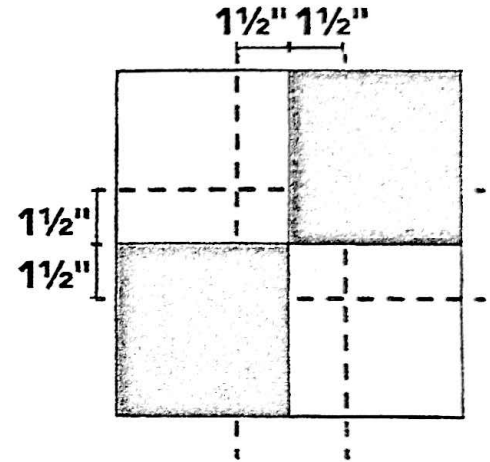


**BEHOLD! THE MEEK  
FOUR-PATCH!**

Made from 5" squares, this  
Four-Patch measures  $9\frac{1}{2}" \times 9\frac{1}{2}"$ .

**LOOK AWAY AS WE CUT!**

Cut  $1\frac{1}{2}"$  from each side of the  
center seam, first vertically  
and then horizontally.



**APPLY A LITTLE  
RAZZLE-DAZZLE!**

Rotate the indicated units  $180^\circ$ .

**ABRACADABRA!**

Join the units to complete the  
transformation for a block  
that should measure  $8\frac{1}{2}"$ .

